



# i3TOUCH PREMIUM 55"

## V5504 T10

Premium interactive touch display with fast & accurate V-Sense touch technology.

i3 offers an exciting alternative to traditional interactive board solutions, with improved design and sound system. The i3TOUCH P series provide crystal clear, high-definition images. The V-Sense 10-point touch technology operates at the touch of a finger or pen and reacts instantly.

### INTERACTIVE

- Up to 10 touch points
- V-sense touch technology: Finger, stylus or any other pen or finger shaped object.

### INSPIRING

- plug & play upwards of windows 7
- gestures recognition
- extremely fast
- LED version, 50% energy-saving

### INTEGRATED

- Vesa 10x10cm for i3Computer mounting
- OPS slot for universal OPS pc integrations
- Data USB at the front for easy access
- 4 mm Anti-Reflexion safety glass
- Built-in audio amplifier and speakers
- Professional panel for 24/7 use
- Sound bar
- Warranty: 2 years



All i3TOUCH products are compatible with Windows, MAC and Linux!



The powerful and fast V-Sense 10 point touch recognition allows up to 10 users to simultaneously perform pen and mouse functions, erase ink and manipulate and move objects on the interactive display surface. The system recognizes individual multitouch gestures for each user, whether by finger, stylus or any other object of choice.



INTERACTIVE • INTEGRATED • INSPIRING

<b>Model type</b>	<b>i3TOUCH V5504 T10</b>
	55"
<b>Display Ratio</b>	16:09
<b>Native resolution</b>	1920 x 1080
<b>Brightness</b>	300cd/m2
<b>Contrast ratio</b>	1400:1
<b>Response time</b>	6 ms
<b>Inputs</b>	VGA x 1 PC AUDIO TOUCH USB HDMI x 2 OPS slot for universal OPS pc integrations (OPS pc not included) Display Port x 1
<b>Communication port</b>	RS232 x 1
<b>Sound bar</b>	2 x 10W
<b>Audio out</b>	mini jack
<b>Speaker out</b>	2 x mini jack
<b>Power supply</b>	standby power<1W complete power consumption≤435W
<b>VESA Mount (W X H)</b>	600 x 400 mm
<b>Anti-collision tempered glass</b>	Yes
<b>Screen area</b>	1210 x 690 mm
<b>Outside dimensions</b>	1311 (W) x 805 (H) x 101 (D) mm
<b>Package dimensions</b>	1550 (W) x 1000 (H) x 310 (D) mm
<b>Net weight</b>	53 kg
<b>Total weight</b>	60 kg

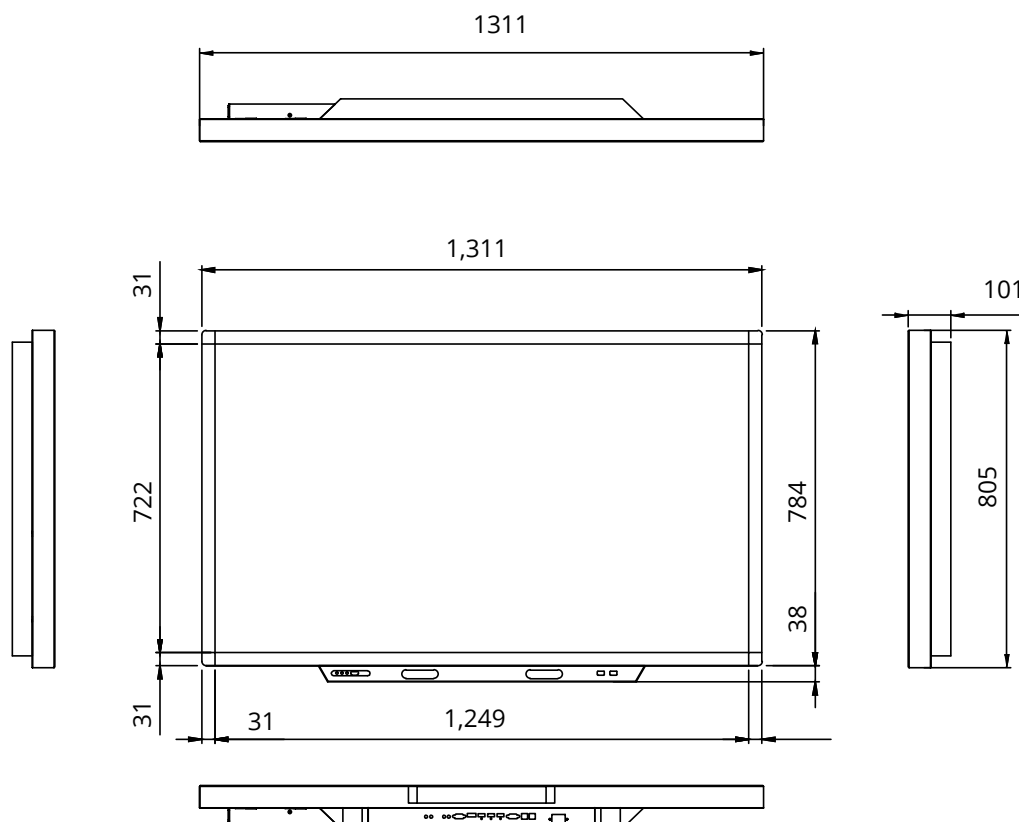
### Touch technology

	V-Sense
<b>Touch modus</b>	finger and pen
<b>Touch points</b>	10 simultaneous touches (only in Windows 7 or later)
<b>Tempered glass</b>	4 mm
<b>Resolution</b>	8096 x 8096
<b>Response speed</b>	4 ms

<b>Accessories</b>	Power cable VGA cable HDMI cable Remoco + Battery PEN x 2 User Manual Wall mount
--------------------	--

Recommended Computer Configuration	CPU	min. i3 processor
	RAM	>4G
	Hard disk	>100G
	Interface	USB2.0 or above
	Screen resolution	1280*800
	USB power	>4.6V (the power of the USB cable should be more than 4.6V at the i3TOUCH)

### TECHNICAL DRAWING



**AUTHORISED DISTRIBUTOR**

